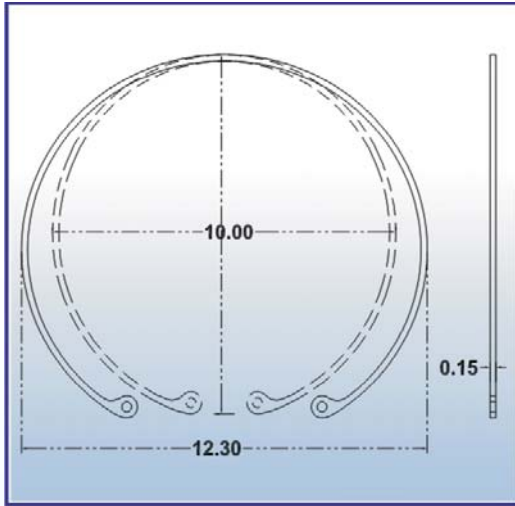


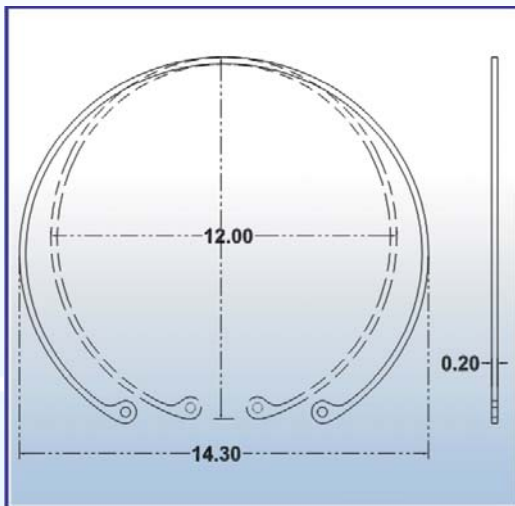
CAPSULAR TENSION RINGS

Manufactured from PMMA CQ/UV material giving dual characteristics of flexibility while inserting along with rigidity to counter the capsular force.



ER-123 / ER-123 B*

Material	: PMMA CQ/UV
Open Diameter	: 12.30 mm
Compressed Diameter	: 10.0 mm
Position Hole	: 2
Ring Thickness	: 0.15 mm
Colour	: Clear / Blue
Sterilization	: Ethylene Oxide (Dry)



ER-143 / ER-143 B*

Material	: PMMA CQ/UV
Open Diameter	: 14.30 mm
Compressed Diameter	: 12.0 mm
Position Hole	: 2
Ring Thickness	: 0.20 mm
Colour	: Clear / Blue
Sterilization	: Ethylene Oxide (Dry)

Features :

- Circumferential expansion of capsular bag.
- Stabilization of capsular bag.
- Enhance IOL centration in case of defective or absent zonules.
- Prevention, in case of zonulysis, or vitreous prolapsed in the anterior chamber.
- Reduces risk of capsular bag shrinkage.

EAGLE OPTICS PVT. LTD.

EL 140/141, MIDC MAHAPE, NAVI MUMBAI - 400710, INDIA. TEL: 91-22-27619231, 27619218, FAX: 27687437
e-mail: eagle@eagleopticsltd.com, Website: www.eagleopticsindia.com

EAGLE
LIGHT TOWARDS SIGHT