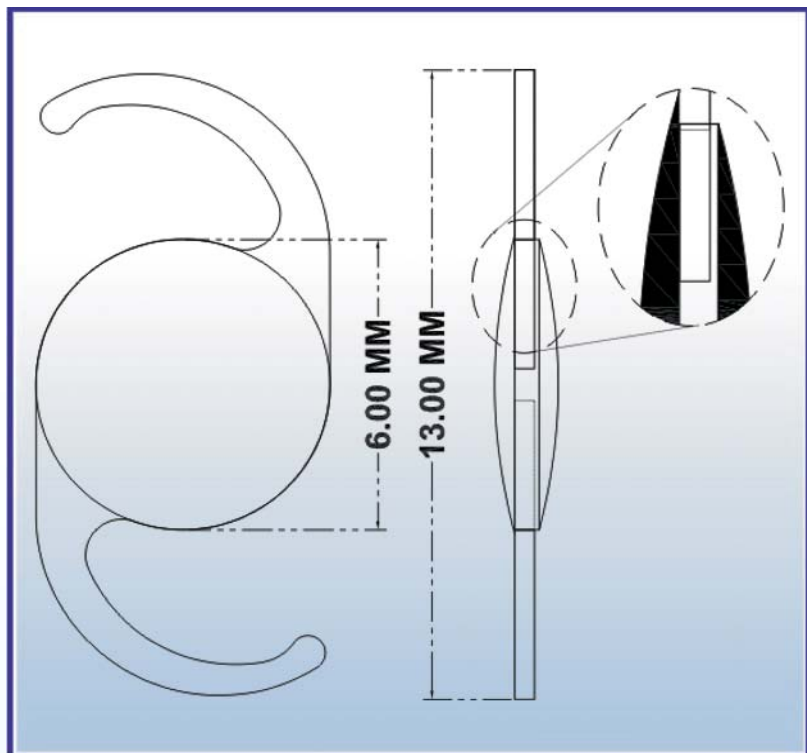
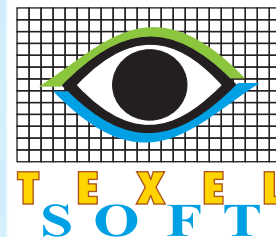


ASPHERIC HYDROPHILIC ACRYLIC SQUARE EDGE INTRAOCULAR LENS



EF- 960 SA / EF- 960 SAY

- Type : One Piece Square Edge Equi-Convex Aspheric
Material : Hydrophilic Acrylic, UV, 26% Water Content (Clear / Yellow)
Optic Diameter : 6.00 mm
Overall Length : 13.00 mm
Haptic Shape : Modified - C
Angulation : 0°
Position Holes : None
A-Constant : 118.0*
A/C Depth : 4.9 mm*
Diopter Range : -10.0 D to + 35.0 D
(a) Regular Range : +7 to +30 D in 0.5 D increments in Equiconvex Optic
(b) Extreme Range : (1) +1 to +6 D & -1 to -10 D in 1.0 D increments in Concave - Convex Optic
(2) 0 D in Plano Optic
Sterilization : Moist Heat (Steam)
**A-Constant and A/C Depth are Estimated Values*

EAGLE OPTICS PVT. LTD.

EL 140/141, MIDC MAHAPE, NAVI MUMBAI - 400710, INDIA. TEL: 91-22-27619231, 27619218, FAX: 27687437
e-mail: eagle@eagleopticsltd.com, Website: www.eagleopticsindia.com