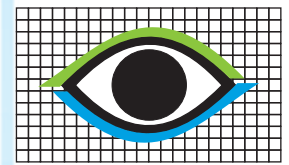
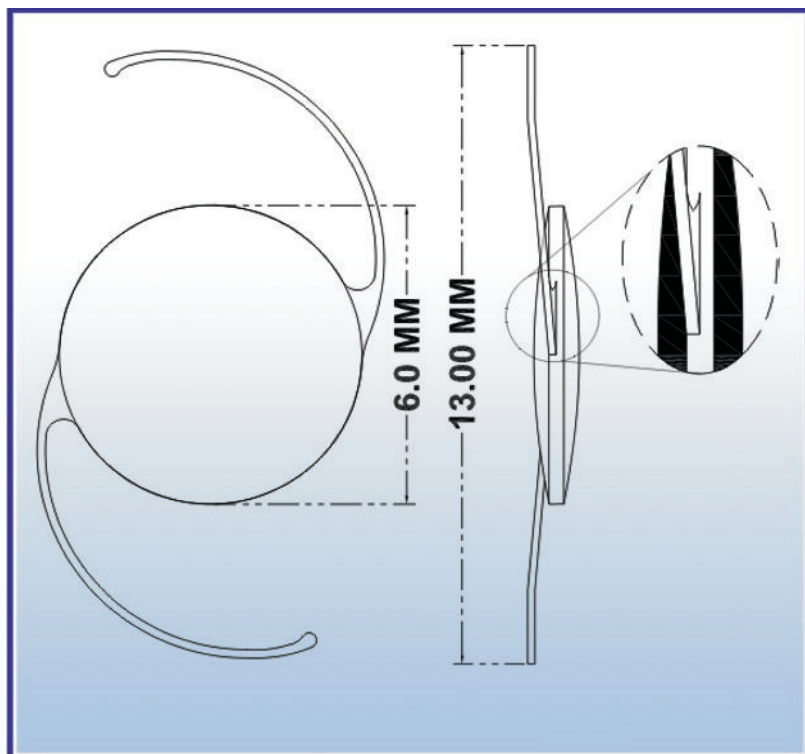


PMMA INTRAOCULAR LENSES (SQUARE EDGE)



T E X E L®

CE 2460



ESQ - 364

Type : One Piece Square Edge Equi-Convex

Material : PMMA CQ-UV

Optic Diameter : 6.00 mm

Overall Length : 12.50 mm

Haptic Shape : Modified - C

Haptic Design : Step Vault

Position Holes : 2

A-Constant : 118.0*

A/C Depth : 4.9 mm*

Diopter Range : -10.0 D to + 35.0 D

(a) Regular Range : +7 to +30 D in 0.5 D increments in Equi-convex Optic

(b) Extreme Range : (1) +1 to +6 D & -1 to -10 D in 1.0 D increments in Concave - Convex Optic

(2) 0 D in Plano Optic

Sterilization : Ethylene Oxide Gas (Dry)

**A-Constant and A/C Depth are Estimated Values*

EAGLE OPTICS PVT. LTD.

EL 140/141, MIDC MAHAPE, NAVI MUMBAI - 400710, INDIA. TEL: 91-22-27619231, 27619218, FAX: 27687437
e-mail: eagle@eagleopticsltd.com, Website: www.eagleopticsindia.com

EAGLE
LIGHT TOWARDS SIGHT